

# Pipe Clamp Optical rainfall sensor

Model ES-R226OC



## Main features

- Infrared optical detection principle
- Optical sensing principle
- Multiple built-in optical probes
- Smaller sensor size
- More sensitive and reliable

## Compliance

The electromagnetic compatibility in accordance with the following applicable directives:  
LVD 2014/35/EU Low Voltage  
EMC 2014/30/EU  
Electromagnetic Compatibility  
EMC 2014/35/EU  
Electromagnetic Compatibility

## Introduction

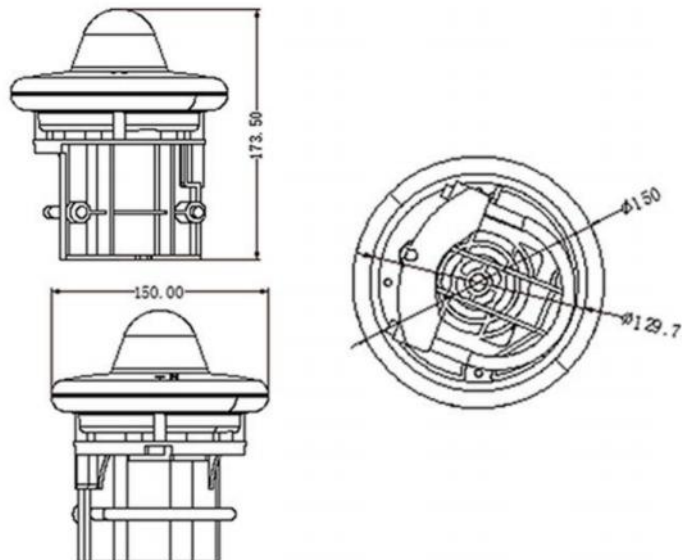
ES-R226OC pipe clamp optical rainfall sensor uses high-precision optical elements to sense the density and velocity of raindrops, enabling real-time and accurate rainfall monitoring. With multiple built-in optical probes and reliable telemetry algorithms, the sensor performs exceptionally well in measuring rainfall, offering sensitivity dozens of times higher than traditional tipping bucket rain gauges. Furthermore, this sensor features a long lifespan, low power consumption, and maintenance-free operation, allowing it to function stably in various harsh environments. It is widely used in automatic rainfall monitoring in severe conditions, playing a crucial role in the automatic monitoring and early warning of disastrous precipitation events such as heavy rain, flash floods, and mudslides.

## Application

Rain sensors are widely used in many fields, including meteorological monitoring, water conservancy projects, environmental protection and urban management, traffic management, agricultural production, garden management, aviation, etc.

## Dimension

Unit:mm



## Specification

Sense of rain diameter	6CM
Range	0-30mm/min
Supply voltage	9~30V DC
Power consumption	Less than 0.24W (12V DC, current less than 20mA)
Resolution	Standard 0.1mm
Accuracy	±5%
Output mode	RS485 output/ pulse output
Working temperature	-40~60°C
Working humidity	0~100%RH (non-condensing)
Protocol	Modbus-RTU
Default Baut rate	9600 (adjustable)
Default communication address	1 (adjustable)

## Order guide

ES-R266OC	Optical rainfall sensor		
	CODE	Functions	
	A	Rainfall	
		CODE	Signal output
		1	RS485
		2	Pulse
ES-R266OC	A	1	Order example