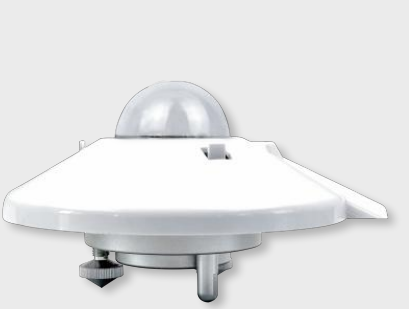


Solar ultraviolet radiation sensor

Model ES-S228UV



Main features

- Complies with WMO standards, ISO 9060:2018 international standard, and ISO/IEC 17025 calibration standard.
- Features a built-in temperature compensation device to reduce the impact of temperature on the radiation meter; a specially coated filter for high cosine response and accurate measurement.
- Simple structure, easy installation, high load-bearing capacity

Compliance

The electromagnetic compatibility in accordance with the following applicable directives:
 LVD 2014/35/EU Low Voltage
 EMC 2014/30/EU
 Electromagnetic Compatibility
 EMC 2014/35/EU
 Electromagnetic Compatibility

Introduction

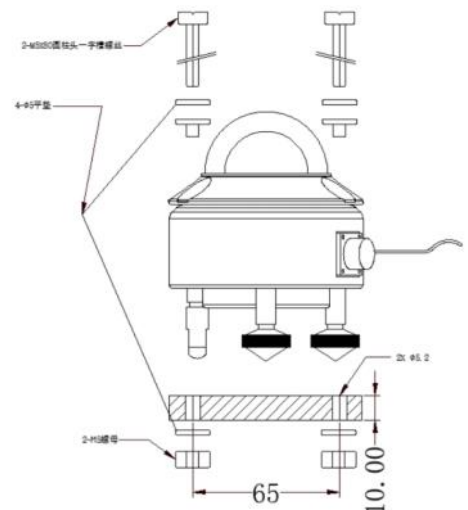
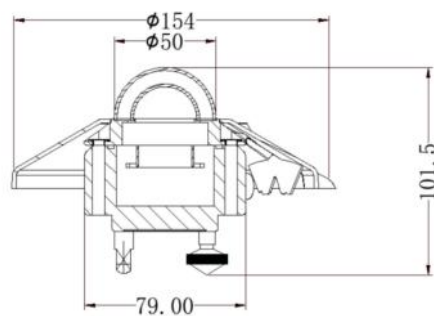
The ES-S228UV ultraviolet radiometer is a precision instrument used to measure solar ultraviolet radiation (UVAB wavelength range) in the atmosphere. When used in conjunction with a data logger, this instrument provides information of public interest: UV index, UV erythema measurement, the effects of UV on the human body, and the unique biological and chemical effects of UV. Therefore, it is highly valued in meteorology, industry, construction, and medicine, and is widely used in research on erythema dosage caused by sun exposure, comprehensive environmental and ecological effects, climate change, and ultraviolet monitoring and forecasting.

Application

They are widely used in environmental monitoring, weather monitoring, agriculture, forestry and other environments. It used to measure ultraviolet rays in the atmosphere and under artificial light sources.

Dimension

Unit:mm



Specification

Spectral range	280 ~ 400nm(UVAB), 315 ~ 400nm(UVA), 280 ~ 315nm(UVB)
Signal range	0- 300W/m ² (UVAB), 0- 300W/m ² (UVA), 0~ 10W/m ² (UVB)
Output signal	0 - 20mV, RS485
Sensitivity	10-500 uV/W.m ⁻²
Response time	≤ 10S (99%)
Internal resistance	<30Ω
Annual stability	≤±2%
Cosine response	≤4% (at a solar altitude angle of 30°)
Nonlinearity	±2%
Temperature error	±2%
Operating temperature	-50°C~100°C
Operating humidity	0-100%RH
Instrument cable length	default 3 meter
Product dimensions	Φ150 × 93 (mm).
Product weight	Approx. 0.8 kg (excluding cable)

Order guide

ES-S228UV	Ultraviolet sensor		
	CODE	Spectral range	
	A	280 ~ 400nm(UVAB), 315 ~ 400nm(UVA), 280 ~ 315nm(UVB)	
		CODE	Signal output
		1	RS485,
		2	0 - 20mV
ES-S228UV	A	1	Order example