

Tipping bucket rainfall sensor

Model ES-R400TP



Main features

- Building block design, classic and beautiful appearance design.
- IP68 waterproof rating. Imported fully enclosed reed switch meets high-precision resolution requirements.
- Imported industrial-grade ABS white raw material ensures that it remains as bright and shiny as new even after long-term use, with a smoother texture.
- The built-in storage chip has a large capacity, capable of storing up to 100,000 entries. It can be paired with different accessories to meet various customer needs.
- Easy to install, suitable for various installation environments.

Introduction

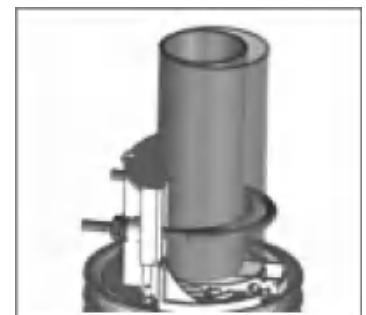
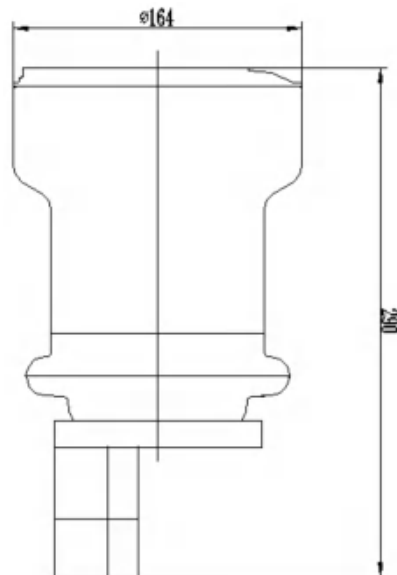
ES-R400TP tipping bucket rainfall sensor is a mainstream automatic monitoring device for liquid precipitation in the fields of meteorology and hydrology. Through the bistable structure of a mechanical tipping bucket, it converts rainfall into pulse electrical signals, enabling precise measurement and automatic recording of precipitation amount, rainfall intensity, and the start and end time of precipitation. It is widely suitable for outdoor unattended monitoring scenarios.

Application

It can be used in meteorological stations, hydrological stations, agriculture and forestry, and other relevant departments. It is suitable for projects such as automatic hydrological monitoring and reporting systems, automatic field monitoring and reporting stations, aimed at flood control, water supply commissioning, and hydrological management of power station reservoirs.

Dimension

Unit:mm



Specification

Measuring range	0~999mm
Definition	2% , 5%
Resolution ratio	0.2mm, 0.5mm (Selectable)
Service voltage	Nothing
Output form	Switching value,485
Cable length	3 (m)
Work environment	0-80°C
Product weight	0.721Kg
Power consumption	None
Bore	160cm2

Order guide

ES-R400TP	tipping bucket rainfall sensor		
	CODE	Resolution	
	A	0.2mm	
	B	0.5mm	
		CODE	Signal output
		1	RS485
		2	Switching value
ES-R400TP	A	1	Order example