

Piezoelectric rainfall detector

Model ES-R226HC



Introduction

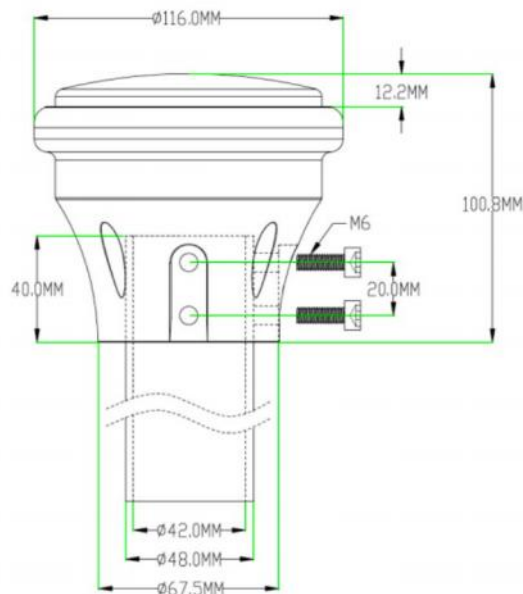
ES-R226HC Piezoelectric rain gauges are monitoring devices developed for the hydrology and water conservancy industries. They measure rainfall using a maintenance-free, non-moving piezoelectric principle, enabling continuous online monitoring of outdoor rainfall parameters 24 hours a day.

Application

- Meteorological monitoring
- Coastal storm water monitoring
- Hydrology and water conservancy monitoring
- Agricultural meteorological monitoring
- Traffic weather monitoring
- Energy monitoring
- Commercial water demand monitoring

Dimension

Unit:mm



Main features

- Light and strong
- Easy to install
- Low power consumption
- Compact design, no moving parts
- One year warranty
- Maintenance-free

Compliance

CE certification of EU
 The electromagnetic compatibility in accordance with the following applicable directives:
 LVD 2014/35/EU Low Voltage
 EMC 2014/30/EU
 Electromagnetic Compatibility
 EMC 2014/35/EU
 Electromagnetic Compatibility

Specification

Rainfall	Measurement form: piezoelectric type; Measuring range: 0-200mm/h; Resolution: 0.2mm; Sampling frequency: 1HZ
Electrical	Power supply: DC12-24V; RS485 interface (MODBUS protocol);
Parameters	Power consumption <0.2W
Optional Output	Continuous rainfall; rainfall duration;rainfall intensity;maximum rain intensity
Maximum output frequency	Passive mode:1/S
Operating Temperature	0°C–70°C
Protect level	IP65
Fixed Method	The standard product is sleeve-type fixed,see the product size drawing
Fixed Bracket (additional purchased)	Optional 1.5m or 1.8m brackets
Remarks	The piezoelectric principle measures rainfall: the impact force of falling raindrops on the external surface is used to measure the size of the raindrops and calculate the rainfall. Compared with the traditional physical tipping bucket rain gauge, accuracy is its weakness. In most cases, the measurement value of the piezoelectric rain gauge will be close to the tipping bucket rain gauge, but there will be a significant deviation in special circumstances (short-term heavy rainfall) . The arc-shaped roof design does not retain rainwater and can work all day long without maintenance. Small size, no moving parts, easy to install. It is more suitable for occasions that need to be moved and cannot be maintained.

Order guide

ES-R226HC	Piezoelectric Rainfall Detector		
	CODE	Range	
	D	0-200mm/h	
	C	Other customized	
		CODE	Signal output
		1	RS485
		2	RS232
ES-R226HC	N	1	Order example